

IEC STANDARD THREE-PHASE MOTORS

- **Frames IEC 63~355 (0.12~315KW),**
- **208-230/460 or 575 volts 60 hz., and 380 or 415 volts 50 hz.**
- **Totally-Enclosed Fan-Cooled, ball bearings**
- **IEC B5 and B14 flanges available as options**
- **IP 55 Protection**
- **F Insulation**



IEC series three-phase induction motors are the new basic series of asynchronous motors. The IEC series are the most complete series of low voltage squirrel motors .

IEC series three-phase induction motors are designed for high efficiency energy consumption, low noise and vibration, excellent performance and long durability. The insulation class is F; the protective class is IP55. IEC series three-phase induction motors are conformed to the standard JB/T8680. The performance data accommodate to the international advanced level of the same type motors.

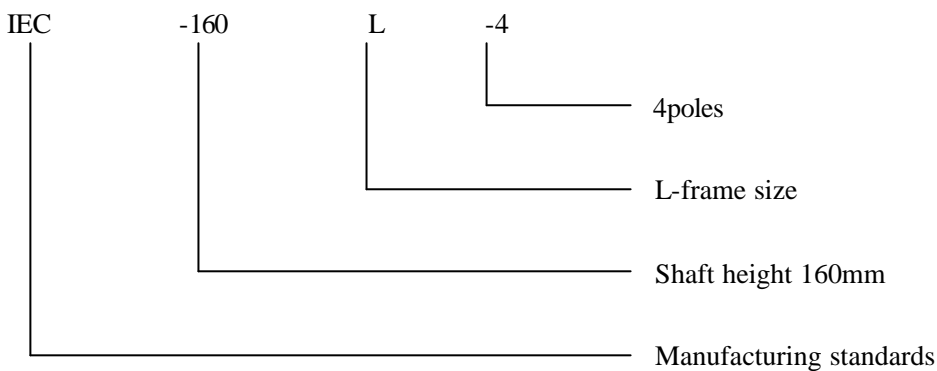
The IEC motors are available in 208-230/460 volts or 575 volts 3 phases, 60 hertz. Also, they are available for 220, 380 or 415 volts, 3 phases, 50 hertz.

Rating:0. 12~315kW

Basic pole: 2,4,6,8,10 pole

Cooling method:IC411

Designations of types



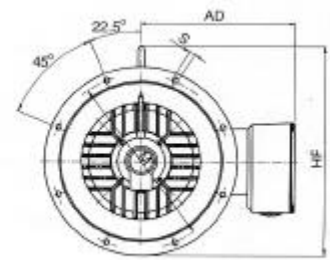
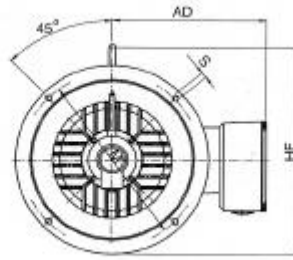
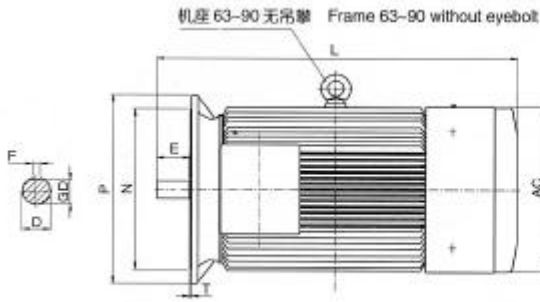
Mounting type

Conventional mounting type and suitable frame size are given in following table

Frame	basic type			derived type											
	B3	B5	B35	V1	V3	V5	V6	B6	B7	B8	V15	V36	B14	B34	V18
IEC-63~112	v	v	v	v	v	v	v	v	v	v	v	v	v	v	v
EC-132~160	v	v	v	v	v	v	v	v	v	v	v	v	-	-	-
IEC-180~280	v	v	v	v	-	-	-	-	-	-	-	-	-	-	-
EC-315~355	v	-	v	v	-	-	-	-	-	-	-	-	-	-	-

Frame	kW	Current A 380 V.	r/min 50 Hz	Efficiency %	Power Factor %	<u>Locked Torque</u> Rated Torque	<u>Locked current</u> Rated Current	<u>Breakdown Torque</u> Rated Torque
IEC-63M1-2	0.18	0.53	2720	65.0	80	2.2	5.5	2.2
IEC-63M2-2	0.25	0.69	2720	68.0	81			
IEC-71M1-2	0.37	0.99	2740	70.0	81			
IEC-71M2-2	0.55	1.4	2740	73.0	82			
IEC-80M1-2	0.75	1.8	2845	75.0	83			
IEC-80M2-2	1.1	2.6	2845	77.0	84			
IEC-90S-2	1.5	3.4	2840	79.0	84			
IEC-90L-2	2.2	4.9	2840	81.0	85			
IEC-100L-2	3	6.3	2860	83.0	87			
IEC-112M-2	4	8.1	2880	85.0	88			
IEC-132S1-2	5.5	11.0	2900	86.0	88			
IEC-132S2-2	7.5	14.9	2900	87.0	88			
IEC-160M1-2	11	21.3	2930	88.0	89			
IEC-160M2-2	15	28.8	2930	89.0	89			
IEC-160L-2	18.5	34.7	2930	90.0	90			
IEC-180M-2	22	41.0	2940	90.0	90			
IEC-200L1-2	30	55.5	2950	91.2	90			
IEC-200L2-2	37	67.9	2950	92.0	90			
IEC-225M-2	45	82.3	2960	92.3	90			
IEC-250M-2	55	100	2965	92.5	90			
IEC-280S-2	75	135	2970	93.0	90			
IEC-280M-2	90	160	2970	93.8	91			
IEC-315S-2	110	195	2975	94.0	91			
IEC-315M-2	132	233	2975	94.5	91			
IEC-315L1-2	160	279	2975	94.6	92			
IEC-315L2-2	200	348	2975	94.8	92			
IEC-355M-2	250	433	2980	95.3	92			
IEC-355L-2	315	544	2980	95.6	92			
IEC-63M1-4	0.12	0.44	1310	57.0	72			
IEC-63M2-4	0.18	0.62	1310	60.0	73			
IEC-71M1-4	0.25	0.79	1330	65.0	74			
IEC-71M2-4	0.37	1.12	1330	67.0	75			
IEC-80M1-4	0.55	1.6	1390	71.0	75			
IEC-80M2-4	0.75	2.0	1390	73.0	76			
IEC-90S-4	1.1	2.9	1390	75.0	77			
IEC-90L-4	1.5	3.7	1390	78.0	79			
IEC-100L1-4	2.2	5.2	1410	80.0	81			
IEC-100L2-4	3	6.8	1410	82.0	82			
IEC-112M-4	4	8.8	1440	84.0	82			
IEC-132S-4	5.5	11.8	1440	85.0	83			
IEC-132M-4	7.5	15.6	1440	87.0	84			
IEC-160M-4	11	22.3	1460	88.0	84			
IEC-160L-4	15	30.1	1460	89.0	85			
IEC-180M-4	18.5	36.1	1470	90.5	86			
IEC-180L-4	22	42.7	1470	91.0	86			
IEC-200L-4	30	57.6	1470	92.0	86			
IEC-225S-4	37	69.9	1475	92.5	87			
IEC-225M-4	45	84.7	1475	92.8	87			
IEC-250M-4	55	103	1480	93.0	87			
IEC-280S-4	75	140	1480	93.8	87			
IEC-280M-4	90	167	1480	94.2	87			
IEC-315S-4	110	201	1480	94.5	88			
IEC-315M-4	132	240	1480	94.8	88			
IEC-315L1-4	160	288	1480	94.9	89			
IEC-315L2-4	200	359	1480	95.0	89			
IEC-355M-4	250	443	1490	95.3	90			
IEC-355L-4	315	556	1490	95.6	90			
						2.4	6.0	2.3
						2.2	7.1	2.2
						2.1	6.9	2.2

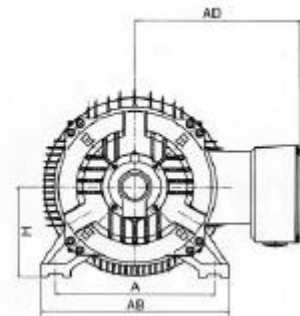
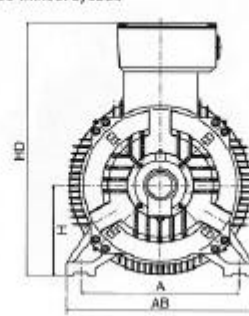
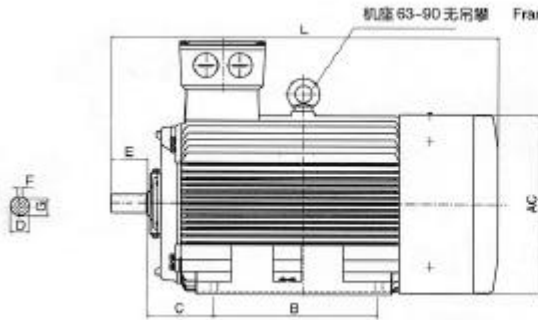
Frame	kW	Current A 380 V.	r/min 50 Hz	Efficiency %	Power Factor %	Locked Torque Rated Torque	Locked Current Rated Current	Breakdown Torque Rated Torque
IEC-71m1-6	0.18	0.74	850	56.0	66	1.9	4.0	2.0
IEC-71m2-6	0.25	0.95	850	59.0	68			
IEC-80m1-6	0.37	1.3	885	62.0	70			
IEC-80m2-6	0.55	1.8	885	65.0	72	2.0	5.5	2.1
IEC-90s-6	0.75	2.3	910	69.0	72			
IEC-90l-6	1.1	3.2	910	72.0	73			
IEC-100l-6	1.5	3.9	920	76.0	75	2.1	6.5	2.1
IEC-112m-6	2.2	5.6	935	79.0	76			
IEC-132s-6	3	7.4	960	81.0	76			
IEC-132m1-6	4	9.8	960	82.0	76	2.0	7.0	2.0
IEC-132m2-6	5.5	12.9	965	84.0	77			
IEC-160m-6	7.5	17.2	970	86.0	77			
IEC-160-6	11	24.5	970	87.5	78	2.1	6.7	1.9
IEC-180l-6	15	31.6	970	89.0	81			
IEC-200l1-6	18.5	38.6	980	90.0	81			
IEC-200l2-6	22	44.7	980	90.0	83	2.0	7.0	2.0
IEC-225m-6	30	59.3	980	91.5	84			
IEC-250m-6	37	71.1	980	92.0	86			
IEC-280s-6	45	85.9	980	92.5	86	2.1	6.7	2.0
IEC-280m-6	55	105	980	92.8	86			
IEC-315s-6	75	142	985	93.5	86			
IEC-315m-6	90	170	985	93.8	86	2.0	6.7	2.0
IEC-315l1-6	110	207	985	94.0	86			
IEC-315l2-6	132	245	985	94.2	87			
IEC-355m1-6	160	292	990	94.5	88	1.9	6.7	2.0
IEC-355m2-6	200	365	990	94.7	88			
IEC-355l-6	250	455	990	94.9	88			
IEC-80m1-8	0.18	0.88	645	51.0	61	1.8	3.3	1.9
IEC-80m2-8	0.25	1.15	645	54.0	61			
IEC-90s-8	0.37	1.49	670	62.0	61			
IEC-90l-8	0.55	2.17	670	63.0	61	1.8	4.0	2.0
IEC-100l1-8	0.75	2.4	680	71.0	67			
IEC-100l2-8	1.1	3.4	680	73.0	69			
IEC-112m-8	1.5	4.4	690	75.0	69	2.0	6.0	2.0
IEC-132s-8	2.2	6.0	705	78.0	71			
IEC-132m-8	3	7.9	705	79.0	73			
IEC-160m1-8	4	10.3	720	81.0	73	1.9	6.6	2.0
IEC-160m2-8	5.5	13.6	720	83.0	74			
IEC-160l-8	7.5	17.8	720	85.5	75			
IEC-180l-8	11	25.1	730	87.5	76	2.0	6.6	2.0
IEC-200l-8	15	34.1	730	88.0	76			
IEC-225s-8	18.5	41.1	730	90.0	76			
IEC-225m-8	22	47.4	730	90.5	78	1.9	6.6	2.0
IEC-250m-8	30	63.4	735	91.0	79			
IEC-280s-8	37	77.8	735	91.5	79			
IEC-280m-8	45	94.1	735	92.0	79	1.8	6.4	2.0
IEC-315s-8	55	111	735	92.8	81			
IEC-315m-8	75	151	735	93.0	81			
IEC-315l1-8	90	178	735	93.8	82	1.8	6.4	2.0
IEC-315l2-8	110	217	735	94.0	82			
IEC-35m1-8	132	261	740	93.7	82			
IEC-355m2-8	160	315	740	94.2	82	1.5	6.2	2.0
IEC-355l-8	200	387	740	94.5	83			
IEC-315s-10	45	99.6	590	91.5	75			
IEC-315m-10	55	121	590	92.0	75	1.5	6.2	2.0
IEC-315l1-10	75	162	590	92.5	76			
IEC-315l2-10	90	191	590	93.0	77			
IEC-355m1-10	110	230	590	93.2	78	1.3	6.0	2.0
IEC-355m2-10	132	275	590	93.5	78			
IEC-355l-10	160	333	590	93.5	78			



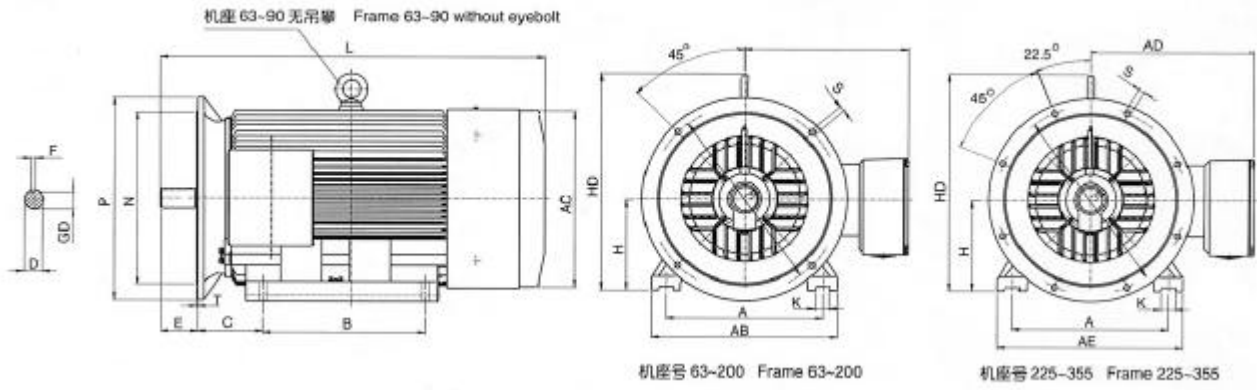
机座号 63-200 Frame 63-200

机座号 225-280 Frame 225-280

Frame	Mounting Dimension (mm)										Overall Dimension (mm)												
	D		E		F		G		M	N	P	R	S	T	AC	AD	HF	L					
	2P	4~10P	2P	4~10P	2P	4~10P	2P	4~10P										2P	4~10P				
63M	11		23		4		8.5		115	95	140	0	10	3	130	70	130	230					
71M	14		30		5		11		130	110	160				12	3.5	145	80	145	255			
80M	19		40		6		15.5		165	130	200		15	4			175	145	185	295			
90S	24		50		8		20		300	250	350				19	5	195	155	195	320			
90L	28		60										215	180			250	330	230	300	215	180	245
100L	38		80						265	230	300				350	250					350	240	190
112M	42		110		12		37						350	300			400	19	5	275		210	315
132S	48								14		42.5				300	250				350	19	5	330
132M	55												16				49		350				300
160M	60		18		53		400	350	450	19	5				420	305				480	770		
160L	65											18		20		500	450	550	19	5	470	335	535
180M	75		18		20		500	450	550	19	5										510	370	595
180L	55											18		20		500	450	550	19	5	580	410	650
200L	60		18		20		500	450	550	19	5										820	845	1035
225S	-	60										-	140	-	18	-	53	400	350	450	19	5	470
225M	55	60	110	140	16	18	49	53	400	350	450	19	5	510	370	595	910						
250M	60	65	140		18		53		500	450	550	19	5	580	410	650	1035						
280S	65	75												18		20		500	450	550	19	5	820
280M	65		18		20		500	450	550	19	5	820	845										1035



Frame	Mounting Dimension (mm)										Overall Dimension (mm)							
	A	B	C	D		E		F		G		H	AB	AC	AD	HD	L	
				2P	4~10P	2P	4~10P	2P	4~10P	2P	4~10P						2P	4~10P
63M	100	80	40	11	23	4	8.5	63	135	130	70	180	230					
71M	112	90	45	14	30	5	11	71	150	145	80	195	255					
80M	125	100	50	19	40	6	15.5	80	165	175	145	220	295					
90S	140	125	56	24	50	8	20		90	180	195	155	250	320				
90L	160		63	28	60		24	24		100	205	215	180	270	385			
100L	190	70	38					80	10	33		112	230	240	190	300	400	
132S	216	178		89	38	80	10			33	132	270	275	210	345	470		
132M	254	210	108	42	110	12	37		160	320	330	255	420	615				
160M	254	254					48	110	14	42.5		180	355	380	280	455	700	
160L	279	279	121	48		14				42.5	180	355	380	280	455	740		
180M	318	305	133	55	16	18	49	200	395	420	305	505	770					
200L	356	286	149	-	60	-	18	-	53	225	435	470	335	560	815			
225S	356	311	55	60	110	140	-	49	53	225	435	470	335	560	815			
225M	406	349	168	60	65	16	18	53	58	250	490	510	370	615	910			
250M	457	368	190	65	75	18	20	58	67.5	280	550	580	410	680	985			
280S	457	419	190	65	75	18	20	58	67.5	280	550	580	410	680	985			
280M	610	406	216	65	80	140	170	18	22	58	71	315	635	645	530	845	1160	1270
315S	610	457															1190	1300
315M	610	508															1190	1300
315L	610	560	254	75	95	20	25	67.5	86	355	730	710	655	1010	1500	1530		
355M	610	630	254	75	95	20	25	67.5	86	355	730	710	655	1010	1500	1530		
355L	610	630	254	75	95	20	25	67.5	86	355	730	710	655	1010	1500	1530		



Frame	Mounting Dimension (mm)														Overall Dimension (mm)									
	A	B	C	D		E		F		G		H	M	N	P	s	T	c	AB	AC	AD	HD	L	
				p	↳10P	P	↳10P	p	↳10P	P	↳10P												p	↳10P
63M	100	80	40	11	23	4	8.5	63	115	95	140	0	10	3	7	135	130	70	180	230				
71M	12	30	15	14	30	5	11	71	30	10	60					50	45	30	195	255				
80M	125	100	50	19	40	6	15.5	80	165	130	200	0	12	3.5	10	165	175	145	220	295				
90S	40		56	24	50	8	20	30								80	165	130	200	0	12	3.5	10	80
90L		25																				345		
100L	160	140	63	28	60	8	24	100	215	180	250	0	15	4	12	205	215	180	270	385				
112M	190		70					112								230	240	190	300	400				
32S	16	78	39	38	80	10	33	32	65	30	00					70	75	10	345	470				
32M																					510			
160M	254	210	108	42	110	12	37	160	300	250	350	0	19	5	15	320	330	255	420	615				
160L		254																		670				
80M	79	41	21	48		14	42.5	80								65	80	80	155	700				
180L		279																			740			
00L	18	05	33	55		16	49	00	50	00	00										770			
225S	356	286	149	--	60	--	140	--	18	--	53	225	400	350	450	19	435	470	335	560	815			
225M		311		55	60	110	140	16	18	49	53										820	845		
50M	06	49	68	0	65	140	18	20	3	58	50	500	450	550	24	90	10	70	515	910				
280S	457	368	190	65	75				18	58	67.5									280	985			
280M		419														550	580	410	680	1035				
15S	08	06	16	5	80	140	170	8	20	8	71	15	00	50	60	24	35	45	30	345	60	170		
15M		57																			90	300		
35L		08																						
335M	610	560	254	75	95	20	22	67.5	86	355	740	680	800	0	24	6	28	730	710	655	1010	1500	1530	
335L		630																						