

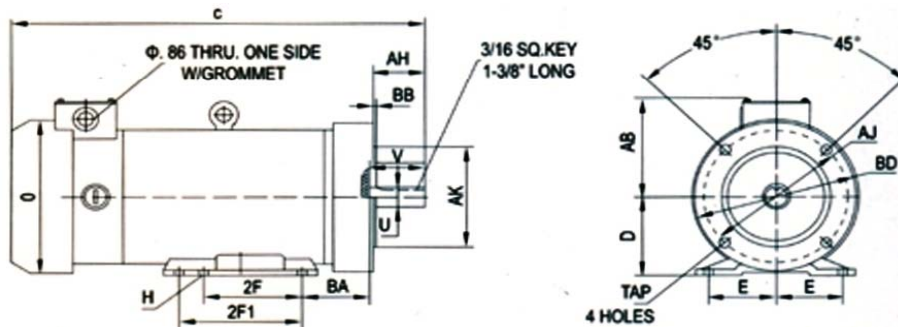


# NEWPORT

## ELECTRIC MOTORS



CATALOGUE	HP	RPM	ARMATURE VOLT	FRAME	ENCL.	CURRENT AMP	TORQUE LB-IN	WEIGHT LBS
DCPM-56C-0.25-90	1/4	1750	90	56C	TEFC	2.5	9	21
DCPM-56C-0.25-180	1/4	1750	180	56C	TEFC	1.3	9	21
DCPM-56C-0.33-90	1/3	1750	90	56C	TEFC	3.5	12	23
DCPM-56C-0.33-180	1/3	1750	180	56C	TEFC	1.7	12	23
DCPM-56C-0.50-90	1/2	1750	90	56C	TEFC	5.0	18	25
DCPM-56C-0.50-180	1/2	1750	180	56C	TEFC	2.5	18	25
DCPM-56C-0.75-90	3/4	1750	90	56C	TEFC	7.6	25	30
DCPM-56C-0.75-180	3/4	1750	180	56C	TEFC	3.8	25	30
DCPM-56C-1.0-90	1	1750	90	56C	TEFC	10.0	36	33
DCPM-56C-1.0-180	1	1750	180	56C	TEFC	5.0	36	33
DCPM-56C-1.5-180	1½	1750	180	56C	TEFC	8.0	54	60
DCPM-56C-2.0-180	2	1750	180	56C	TEFC	9.5	72	68
DCPM-145TC-1.5-180	1½	1750	180	145TC	TEFC	8.0	54	60
DCPM-145TC-2.0-180	2	1750	180	145TC	TEFC	9.5	72	68
DCPM-145TC-3.0-180	3	1750	180	145TC	TEFC	14.0	108	80



CATALOGUE	D	E	2F / 2F1	H	O	U	V	AB	AH	AJ	AK	BA	BB	BD	TAP	C
DCPM-56C-0.25-90	3.5	2.44	3 / -	0.34 SLOT	5.63	0.625	1.88	4.13	2.06	5.875	4.5	2.75	0.12	6.5	3/8-16	11.6
DCPM-56C-0.25-180	3.5	2.44	3 / -	0.34 SLOT	5.63	0.625	1.88	4.13	2.06	5.875	4.5	2.75	0.12	6.5	3/8-16	11.6
DCPM-56C-0.33-90	3.5	2.44	3 / -	0.34 SLOT	5.63	0.625	1.88	4.13	2.06	5.875	4.5	2.75	0.12	6.5	3/8-16	11.6
DCPM-56C-0.33-180	3.5	2.44	3 / -	0.34 SLOT	5.63	0.625	1.88	4.13	2.06	5.875	4.5	2.75	0.12	6.5	3/8-16	11.6
DCPM-56C-0.50-90	3.5	2.44	3 / -	0.34 SLOT	5.63	0.625	1.88	4.13	2.06	5.875	4.5	2.75	0.12	6.5	3/8-16	12.4
DCPM-56C-0.50-180	3.5	2.44	3 / -	0.34 SLOT	5.63	0.625	1.88	4.13	2.06	5.875	4.5	2.75	0.12	6.5	3/8-16	12.4
DCPM-56C-0.75-90	3.5	2.44	3 / -	0.34 SLOT	5.63	0.625	1.88	4.13	2.06	5.875	4.5	2.75	0.12	6.5	3/8-16	14.0
DCPM-56C-0.75-180	3.5	2.44	3 / -	0.34 SLOT	5.63	0.625	1.88	4.13	2.06	5.875	4.5	2.75	0.12	6.5	3/8-16	14.0
DCPM-56C-1.0-90	3.5	2.44	3 / -	0.34 SLOT	5.63	0.625	1.88	4.13	2.06	5.875	4.5	2.75	0.12	6.5	3/8-16	14.8
DCPM-56C-1.0-180	3.5	2.44	3 / -	0.34 SLOT	5.63	0.625	1.88	4.13	2.06	5.875	4.5	2.75	0.12	6.5	3/8-16	14.4
DCPM-56C-1.5-180	3.5	2.44	3 / -	0.34 SLOT	5.63	0.625	1.88	4.13	2.06	5.875	4.5	2.75	0.12	6.65	3/8-16	16.1
DCPM-56C-2.0-180	3.5	2.44	3 / -	0.34 SLOT	5.63	0.625	1.88	4.13	2.06	5.875	4.5	2.75	0.12	6.65	3/8-16	18.4
DCPM-145TC-1.5-180	3.5	2.75	4 / 5	0.34 SLOT	6.87	0.875	2.25	4.5	2.12	5.875	4.5	2.75	0.12	6.65	3/8-16	14.8
DCPM-145TC-2.0-180	3.5	2.75	4 / 5	0.34 SLOT	6.87	0.875	2.25	4.5	2.12	5.875	4.5	2.75	0.12	6.65	3/8-16	16.5
DCPM-145TC-3.0-180	3.5	2.75	4 / 5	0.34 SLOT	6.87	0.875	2.25	4.5	2.12	5.875	4.5	2.75	0.12	6.65	3/8-16	18.7

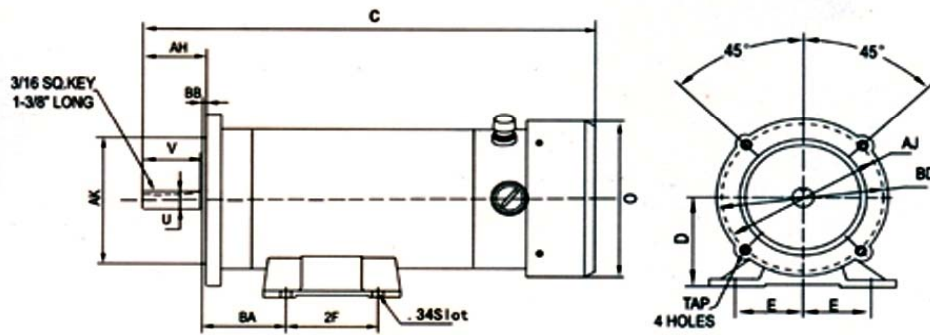


# NEWPORT

## ELECTRIC MOTORS



CATALOGUE	HP	RPM	ARMATURE VOLT	FRAME	ENCL.	CURRENT AMP	TORQUE LB-IN	WEIGHT LBS
DCPM-56C-0.25-12	1/4	1750	12	56C	TEFC	21.0	9	21
DCPM-56C-0.25-24	1/4	1750	24	56C	TEFC	10.5	9	21
DCPM-56C-0.33-12	1/3	1750	12	56C	TEFC	27.0	12	23
DCPM-56C-0.33-24	1/3	1750	24	56C	TEFC	13.5	12	23
DCPM-56C-0.50-12	1/2	1750	12	56C	TEFC	39.0	18	25
DCPM-56C-0.50-24	1/2	1750	24	56C	TEFC	20.0	18	25
DCPM-56C-0.75-12	3/4	1750	12	56C	TEFC	63.5	27	30
DCPM-56C-0.75-24	3/4	1750	24	56C	TEFC	31.8	27	30
DCPM-56C-1.0-12	1	1750	12	56C	TEFC	80.0	36	32
DCPM-56C-1.0-24	1	1750	24	56C	TEFC	40.0	36	32



CATALOGUE	D	E	2F	H	O	U	V	AB	AH	AJ	AK	BA	BB	BD	TAP	C
DCPM-56C-0.25-12	3.5	2.44	3	0.34 SLOT	5.63	0.625	1.88	4.13	2.06	5.875	4.5	2.75	0.12	6.5	3/8-16	11.6
DCPM-56C-0.25-24	3.5	2.44	3	0.34 SLOT	5.63	0.625	1.88	4.13	2.06	5.875	4.5	2.75	0.12	6.5	3/8-16	11.6
DCPM-56C-0.33-12	3.5	2.44	3	0.34 SLOT	5.63	0.625	1.88	4.13	2.06	5.875	4.5	2.75	0.12	6.5	3/8-16	11.6
DCPM-56C-0.33-24	3.5	2.44	3	0.34 SLOT	5.63	0.625	1.88	4.13	2.06	5.875	4.5	2.75	0.12	6.5	3/8-16	11.6
DCPM-56C-0.50-12	3.5	2.44	3	0.34 SLOT	5.63	0.625	1.88	4.13	2.06	5.875	4.5	2.75	0.12	6.5	3/8-16	12.4
DCPM-56C-0.50-24	3.5	2.44	3	0.34 SLOT	5.63	0.625	1.88	4.13	2.06	5.875	4.5	2.75	0.12	6.5	3/8-16	12.4
DCPM-56C-0.75-12	3.5	2.44	3	0.34 SLOT	5.63	0.625	1.88	4.13	2.06	5.875	4.5	2.75	0.12	6.5	3/8-16	14.0
DCPM-56C-0.75-24	3.5	2.44	3	0.34 SLOT	5.63	0.625	1.88	4.13	2.06	5.875	4.5	2.75	0.12	6.5	3/8-16	14.0
DCPM-56C-1.0-12	3.5	2.44	3	0.34 SLOT	5.63	0.625	1.88	4.13	2.06	5.875	4.5	2.75	0.12	6.5	3/8-16	14.8
DCPM-56C-1.0-24	3.5	2.44	3	0.34 SLOT	5.63	0.625	1.88	4.13	2.06	5.875	4.5	2.75	0.12	6.5	3/8-16	14.8