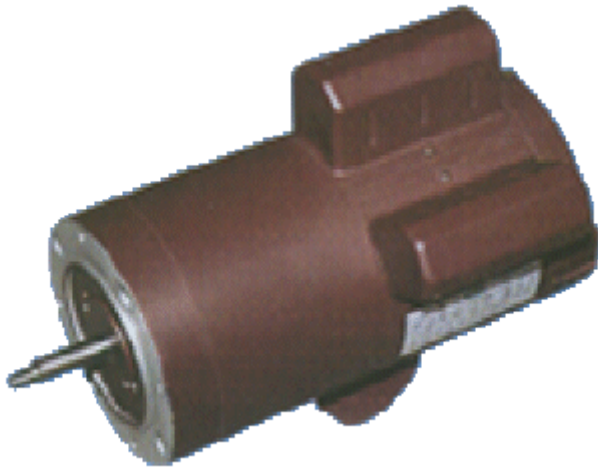
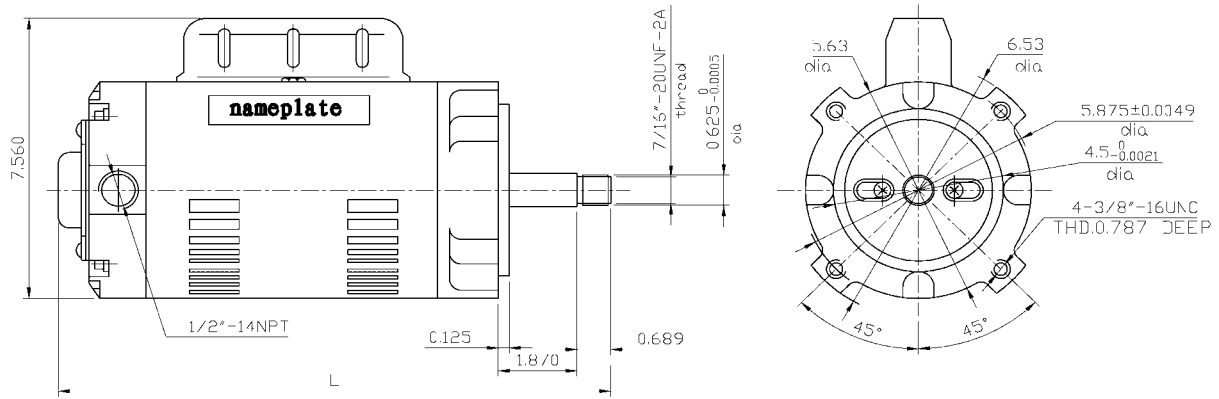


NEMA Frame Jet Pump Motors



- **NEMA Rolled Steel Frame**
- **Shaft can be stainless steel at request**
- **ODP And TEFC Available**
- **Single phase capacitor start and three phases available**
- **Threaded shaft with C flange**

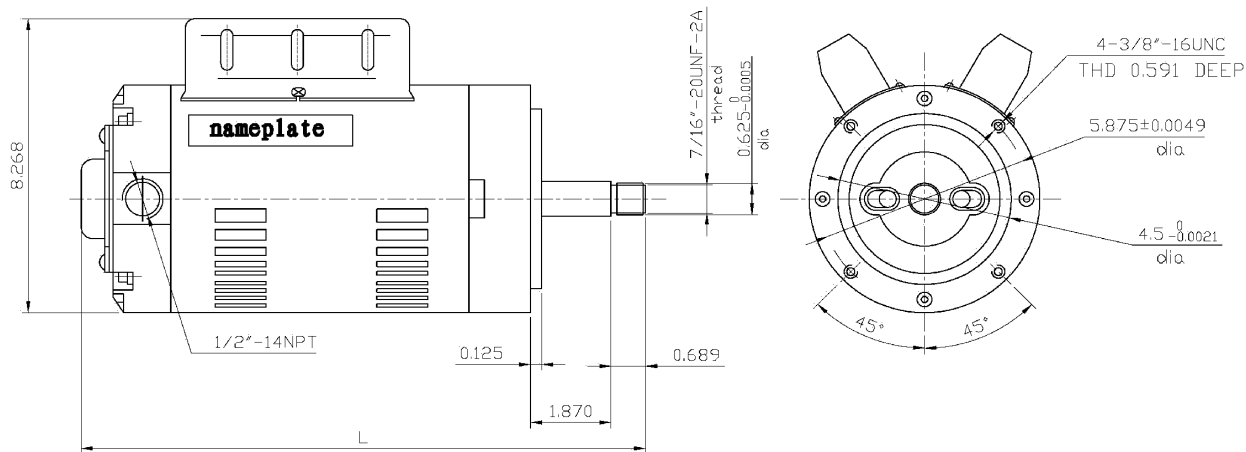
**ISO9001
Certified**



TECHNICAL DATA

Type	Power (W)	Service Factor S.F.	Voltage (V)	Current (A)	Freq (Hz)	Speed (r/min)	Eff (%)	Power Factor	Start Torque Rated Torque	Max Torque Rated Torque	Start Current (A)	Note
AJ4812-A4	1/2	1.6	115/230	8.6/4.3	60	3450	54	0.69	3.7	2.8	46/23	
AJ4822-A4	3/4	1.5	115/230	10.6/5.3	60	3450	65	0.69	3.2	2.8	66/33	
AJ4832-A4	1	1.4	115/230	14.2/7.1	60	3450	59	0.77	2.3	2.8	86/43	
AJ4842-A4	1/2	1.3	115/230	18/9.0	60	3450	70	0.76	2.3	2.4	110/55	
AJ5672-A4	2	1.2	115/230	21/10.5	60	3450	74	0.80	2	2.2	140/70	
AJ5692-A4	3	1.15	115/230	24/12	60	3450	79	0.98	2.2	2.1	180/90	Cap Start And run
AJ4812-B2	1/2	1.6	115/230	8.6/4.3	60	3450	54	0.69	3.7	2.8	46/23	
AJ4822-B2	3/4	1.5	115/230	10.6/5.3	60	3450	65	0.69	3.2	2.8	66/33	
AJ4832-B2	1	1.4	115/230	14.2/7.1	60	3450	59	0.77	2.3	2.8	86/43	
AJ4842-B2	1/2	1.3	115/230	18/9.0	60	3450	70	0.76	2.3	2.4	110/55	
AJ5672-B2	2	1.2	115/230	21/10.5	60	3450	74	0.80	2	2.2	140/70	
AJ5692-B2	3	1.15	115/230	24/12	60	3450	79	0.98	2.2	2.1	180/90	Cap Start And run

Note: In the name of type, "A" expresses no thermal protector, "B" expresses there is a thermal protector, "2" expresses the material of the shaft extend is stainless steel, "4" expresses the material of the shaft extend is not stainless steel.



OVERALL AND MOUNTING DIMENSIONS

MDDEL	HP	S.F	VOLTS	Hz	RPM	PH	L
AJ4812-A4	1/2	1.6	115/ 230	60	3450	1	12.362
AJ4812-B2							
AJ4822-A4	3/4	1.5	115/ 230	60	3450	1	13.031
AJ4822-B2							
AJ4832-A4	1	1.4	115/ 230	60	3450	1	13.583
AJ4832-B2							
AJ4842-A4	1.5	1.3	115/ 230	60	3450	1	14.409
AJ4842-B2							

MDDEL	HP	S.F	VOLTS	Hz	RPM	PH	L
AJ5672-A4	2	1.2	115/ 230	60	3450	1	13.780
AJ5672-B2							
AJ5692-A4	3	1.15	115/ 230	60	3450	1	14.961
AJ5692-B2							