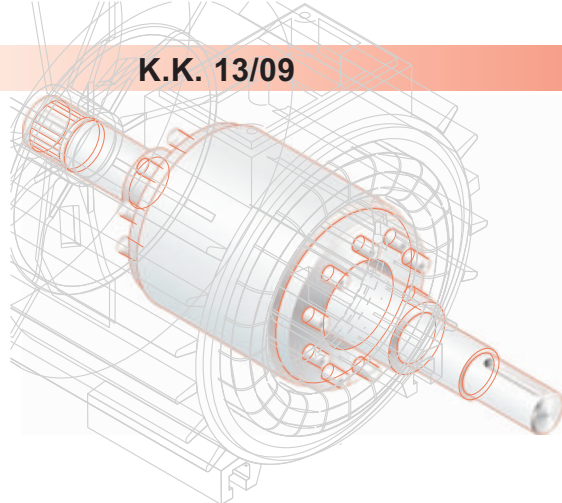




# BESEL S.A.

## SAW ARBOR



### MOTORS WITH SHAFT HEIGHT 65 mm

1- and 3-phase motors for woodworking machines series "h" and "hR"

#### Description of the catalogue motors:

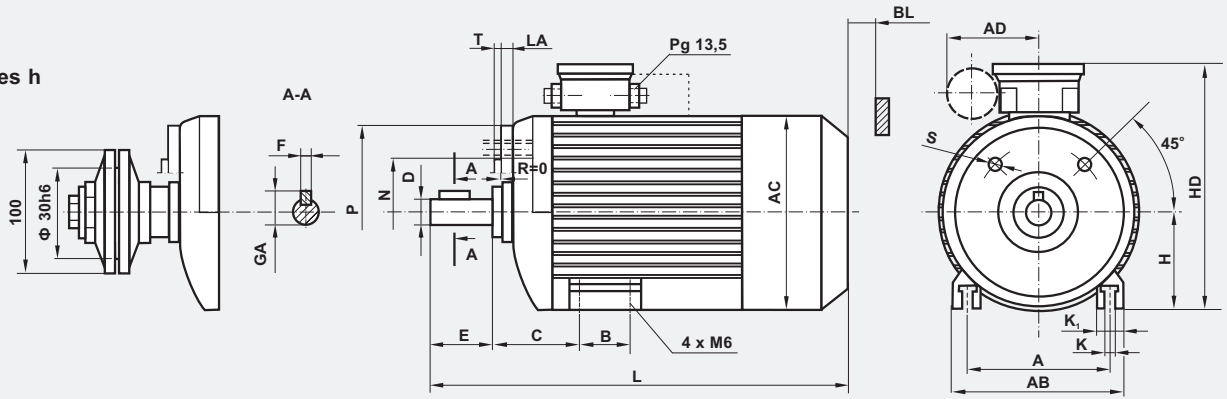
- general used in woodworking machines,
- continuous duty S1 or intermittent duty S6 (40%),
- rated voltage 230V (1-phase), 400V (3-phase),
- frequency 50 Hz,
- degree of protection IP 54,
- insulation class F,
- body made of drawn section pipe, cast iron bearing shields (series "hR"),
- cast body (series "h") ,
- motors can be manufactured with different end shaft, with fixed bearing at the drive end (without axial play).

| Frame size 3-phase motors | continuous duty S1 |                                  |                            |                            |  | intermittent duty S6 - 40% |                                  |                            |                            |  | Motor weight [kg] |
|---------------------------|--------------------|----------------------------------|----------------------------|----------------------------|--|----------------------------|----------------------------------|----------------------------|----------------------------|--|-------------------|
|                           | Rated output [kW]  | Rated speed [min <sup>-1</sup> ] | Rated current at 400 V [A] | Torque T <sub>N</sub> [Nm] | Starting current/ rated current I <sub>L</sub> /I <sub>N</sub> | Rated output [kW]          | Rated speed [min <sup>-1</sup> ] | Rated current at 400 V [A] | Torque T <sub>N</sub> [Nm] | Starting current/ rated current I <sub>L</sub> /I <sub>N</sub> |                   |
| Sh 65-2A                  | 0,75               | 2760                             | 1,9                        | 5,2                        | 4,5  | 1,1                        | 2670                             | 2,8                        | 6,3                        | 3,1  | 10,0              |
| Sh 65-2B                  | 1,10               | 2760                             | 2,5                        | 8,0                        | 5,0  | 1,5                        | 2650                             | 3,6                        | 8,6                        | 3,5  | 11,5              |
| Sh 65-2C                  | 1,50               | 2800                             | 3,4                        | 13,3                       | 5,0  | 2,2                        | 2800                             | 5,0                        | 12,7                       | 3,4  | 13,0              |
| Sh 65-2D                  | 2,20               | 2820                             | 4,9                        | 25,3                       | 5,7  | 3,0                        | 2720                             | 6,8                        | 24,1                       | 4,0  | 14,5              |
| ShR 65-2A                 | 0,75               | 2760                             | 1,9                        | 5,2                        | 4,5  | 1,1                        | 2670                             | 2,8                        | 6,3                        | 3,1  | 10,0              |
| ShR 65-2B                 | 1,10               | 2760                             | 2,5                        | 8,0                        | 5,0  | 1,5                        | 2650                             | 3,6                        | 8,6                        | 3,5  | 11,5              |
| ShR 65-2C                 | 1,50               | 2800                             | 3,4                        | 13,3                       | 5,0  | 2,2                        | 2800                             | 5,0                        | 12,7                       | 3,4  | 13,0              |
| ShR 65-2D                 | 2,20               | 2820                             | 4,9                        | 25,3                       | 5,7  | 3,0                        | 2720                             | 6,8                        | 24,1                       | 4,0  | 14,5              |

| Frame size 1-phase motors | continuous duty S1 |                                  |                            |                            |  | intermittent duty S6 - 40% |                                  |                            |                            |  | Run capacitor [ F ] 450V | Motor weight [kg] |
|---------------------------|--------------------|----------------------------------|----------------------------|----------------------------|--|----------------------------|----------------------------------|----------------------------|----------------------------|--|--------------------------|-------------------|
|                           | Rated output [kW]  | Rated speed [min <sup>-1</sup> ] | Rated current at 230 V [A] | Torque T <sub>N</sub> [Nm] | Starting current/ rated current I <sub>L</sub> /I <sub>N</sub> | Rated output [kW]          | Rated speed [min <sup>-1</sup> ] | Rated current at 230 V [A] | Torque T <sub>N</sub> [Nm] | Starting current/ rated current I <sub>L</sub> /I <sub>N</sub> |                          |                   |
| SEh 65-2A                 | 0,75               | 2820                             | 5,2                        | 1,5                        | 3,7  | 1,1                        | 2750                             | 7,6                        | 1,7                        | 3,2  | 25                       | 10,0              |
| SEh 65-2B                 | 1,10               | 2810                             | 7,0                        | 1,5                        | 3,2  | 1,5                        | 2750                             | 10,0                       | 1,9                        | 2,6  | 30                       | 12,0              |
| SEh 65-2C                 | 1,50               | 2800                             | 9,5                        | 2,6                        | 3,4  | 2,2                        | 2800                             | 14,0                       | 3,0                        | 2,0  | 40                       | 13,5              |
| SEh 65-2D                 | 2,00               | 2800                             | 12,2                       | 2,4                        | 3,5  | 2,5                        | 2700                             | 16,0                       | 2,4                        | 2,7  | 50                       | 15,0              |
| SEhR 65-2A                | 0,75               | 2820                             | 5,2                        | 1,5                        | 3,7  | 1,1                        | 2750                             | 7,6                        | 1,7                        | 3,2  | 25                       | 10,0              |
| SEhR 65-2B                | 1,10               | 2810                             | 7,0                        | 1,5                        | 3,2  | 1,5                        | 2750                             | 10,0                       | 1,9                        | 2,6  | 30                       | 12,0              |
| SEhR 65-2C                | 1,50               | 2800                             | 9,5                        | 2,6                        | 3,4  | 2,2                        | 2800                             | 14,0                       | 3,0                        | 2,0  | 40                       | 13,5              |
| SEhR 65-2D                | 2,00               | 2800                             | 12,2                       | 2,4                        | 3,5  | 2,5                        | 2700                             | 16,0                       | 2,4                        | 2,7  | 50                       | 15,0              |

Motors can be equipped with:  
 direct current electromagnetic spring-loaded brakes (soft) - H17,  
 switches with the following functions: overload protection,  
 overvoltage protection, on-off switch,  
 3, 4 and 5 pin sockets (L1, L2, L3, N, PE),  
 4 and 5 pin plugs (L1, L2, L3, N, PE) in accordance  
 with CEE7 (external neutral pins),  
 clip flanges for assembly of circular,  
 other on request.  
 All motors are provided with CE mark.

**Motors series h**



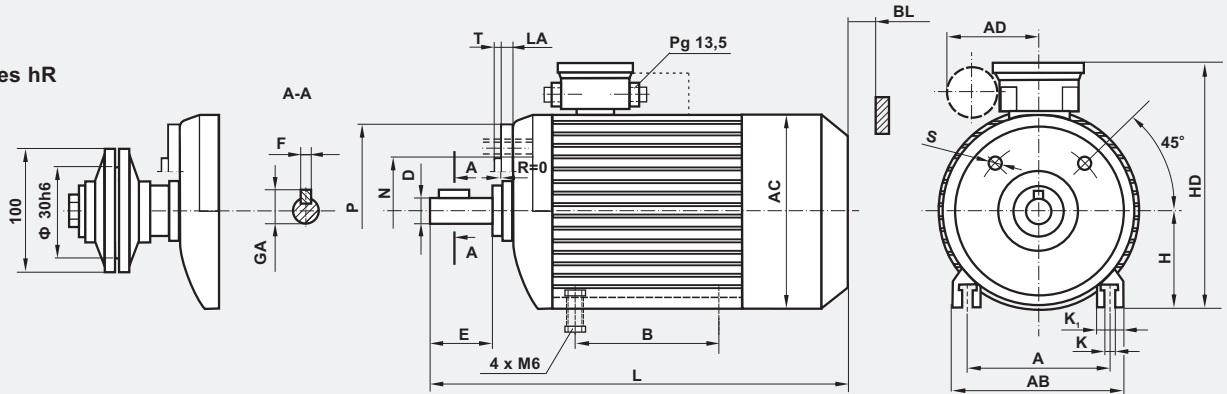
**Foot - mounted motors**

| Frame size  | Dimensions (mm) |    |    |      |    |   |    |                   |     |                |     |       |     |    |      |     | Bearings |
|-------------|-----------------|----|----|------|----|---|----|-------------------|-----|----------------|-----|-------|-----|----|------|-----|----------|
|             | A               | B  | C  | D    | E  | F | GA | H                 | K   | K <sub>1</sub> | AB  | AC    | AD  | BL | HD   | L   |          |
| Sh 65-2A    | 80              | 44 | 67 | 22j6 | 50 | 8 | 25 | 65 <sub>0,5</sub> | 6,4 | 10,4           | 100 | 143,3 | ~85 | 15 | ~175 | 262 | 6205 2RS |
| SEh 65-2A   |                 |    |    |      |    |   |    |                   |     |                |     |       |     |    |      | 267 |          |
| Sh 65-2B    |                 |    |    |      |    |   |    |                   |     |                |     |       |     |    |      | 279 |          |
| SEh 65-2B   |                 |    |    |      |    |   |    |                   |     |                |     |       |     |    |      | 287 |          |
| S(E)h 65-2C |                 |    |    |      |    |   |    |                   |     |                |     |       |     |    |      | 309 |          |
| S(E)h 65-2D |                 |    |    |      |    |   |    |                   |     |                |     |       |     |    |      | 327 |          |

**Flange - mounted motors**

| Frame size    | Dimensions (mm) |     |      |      |    |      |    |   |    |    |   |   |       |     |    |     | Bearings |
|---------------|-----------------|-----|------|------|----|------|----|---|----|----|---|---|-------|-----|----|-----|----------|
|               | P               | M   | N    | S    | C  | D    | E  | F | GA | LA | T | R | AC    | AD  | BL | L   |          |
| SKh 65-2A2    | 120             | 100 | 80j6 | 4XM6 | 67 | 22j6 | 50 | 8 | 25 | 12 | 3 | 0 | 143,3 | ~85 | 15 | 262 | 6205 2RS |
| SEKh 65-2A2   |                 |     |      |      |    |      |    |   |    |    |   |   |       |     |    | 267 |          |
| SKh 65-2B2    |                 |     |      |      |    |      |    |   |    |    |   |   |       |     |    | 279 |          |
| SEKh 65-2B2   |                 |     |      |      |    |      |    |   |    |    |   |   |       |     |    | 287 |          |
| S(E)Kh 65-2C2 |                 |     |      |      |    |      |    |   |    |    |   |   |       |     |    | 309 |          |
| S(E)Kh 65-2D2 |                 |     |      |      |    |      |    |   |    |    |   |   |       |     |    | 327 |          |

**Motors series hR**



**Foot - mounted motors**

| Frame size   | Dimensions (mm) |      |   |      |    |   |    |                   |     |                |     |       |     |    |      |     | Bearings |
|--------------|-----------------|------|---|------|----|---|----|-------------------|-----|----------------|-----|-------|-----|----|------|-----|----------|
|              | A               | B    | C | D    | E  | F | GA | H                 | K   | K <sub>1</sub> | AB  | AC    | AD  | BL | HD   | L   |          |
| ShR 65-2A    | 80              | ~120 | - | 22j6 | 50 | 8 | 25 | 65 <sub>0,5</sub> | 6,4 | 10,4           | 100 | 143,3 | ~85 | 15 | ~175 | 272 | 6205 2RS |
| ShR 65-2A    |                 | ~125 |   |      |    |   |    |                   |     |                |     |       |     |    |      | 277 |          |
| ShR 65-2B    |                 | ~137 |   |      |    |   |    |                   |     |                |     |       |     |    |      | 289 |          |
| SEhR 65-2B   |                 | ~145 |   |      |    |   |    |                   |     |                |     |       |     |    |      | 297 |          |
| S(E)hR 65-2C |                 | ~167 |   |      |    |   |    |                   |     |                |     |       |     |    |      | 319 |          |
| S(E)hR 65-2D |                 | ~185 |   |      |    |   |    |                   |     |                |     |       |     |    |      | 337 |          |

**Flange - mounted motors**

| Frame size     | Dimensions (mm) |     |      |      |   |      |    |   |    |    |   |   |       |     |    |     | Bearings |
|----------------|-----------------|-----|------|------|---|------|----|---|----|----|---|---|-------|-----|----|-----|----------|
|                | P               | M   | N    | S    | C | D    | E  | F | GA | LA | T | R | AC    | AD  | BL | L   |          |
| SKhR 65-2A2    | 120             | 100 | 80j6 | 4XM6 | - | 22j6 | 50 | 8 | 25 | 12 | 3 | 0 | 143,3 | ~85 | 15 | 272 | 6205 2RS |
| SEKhR 65-2A2   |                 |     |      |      |   |      |    |   |    |    |   |   |       |     |    | 277 |          |
| SKhR 65-2B2    |                 |     |      |      |   |      |    |   |    |    |   |   |       |     |    | 289 |          |
| SEKhR 65-2B2   |                 |     |      |      |   |      |    |   |    |    |   |   |       |     |    | 297 |          |
| S(E)KhR 65-2C2 |                 |     |      |      |   |      |    |   |    |    |   |   |       |     |    | 319 |          |
| S(E)KhR 65-2D2 |                 |     |      |      |   |      |    |   |    |    |   |   |       |     |    | 337 |          |

Motors fastened with the use of holes in flange plate or T-shaped holes in a body.  
As part of our development program, we reserve the right to alter or amend any of the specifications without giving prior notice.