



SHAFT MOUNT GEAR REDUCERS

SMR SERIES



SHAFT MOUNT GEAR REDUCERS
SERIES SMR

MAX / Power Ratings Input HP

(Unit) Inches

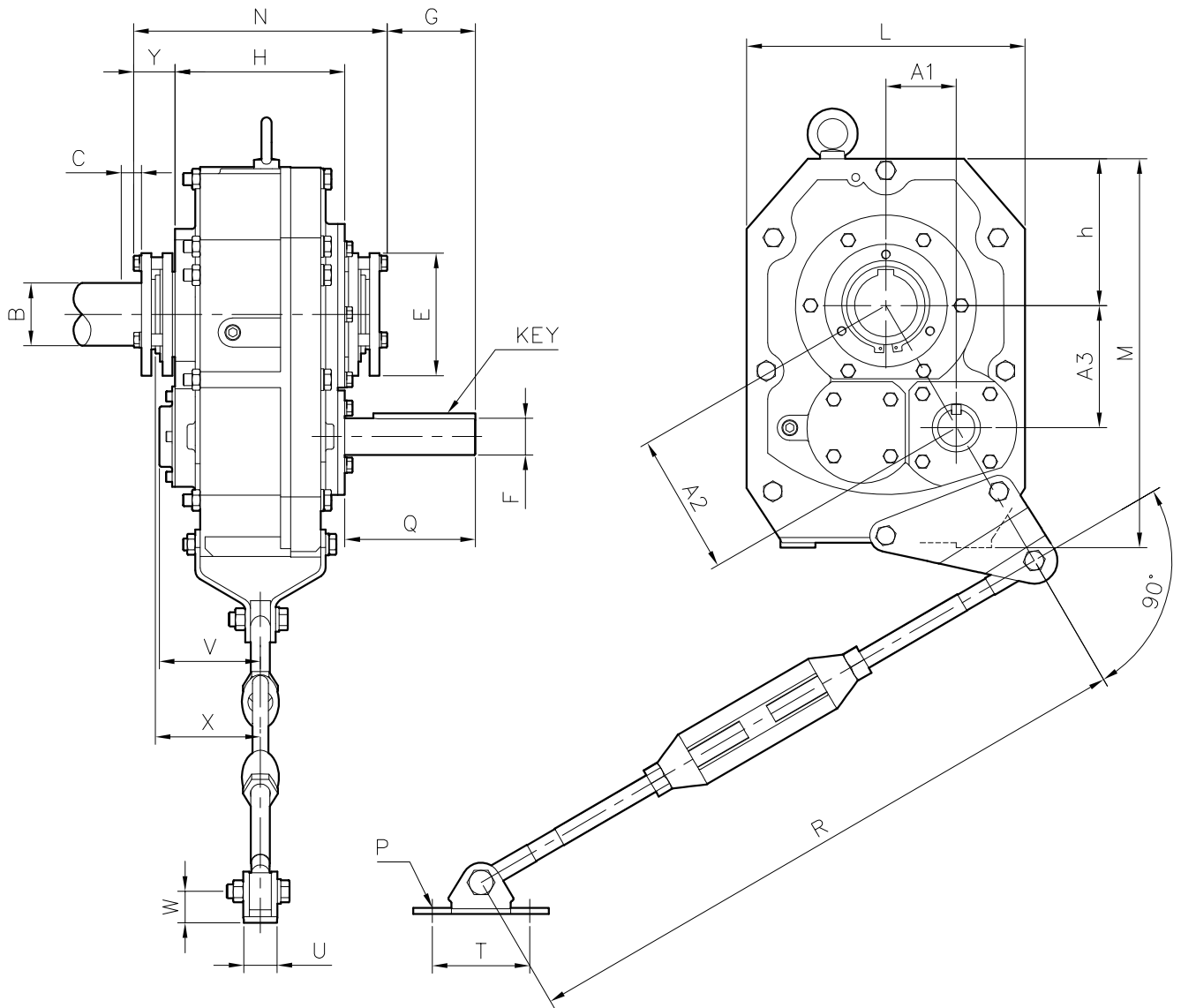
MODEL	CLASS I			CLASS II			CLASS III		
	POWER (HP)	OUTPUT (RPM)	OUTPUT TORQUE (IN-LB)	POWER (HP)	OUTPUT (RPM)	OUTPUT TORQUE (IN-LB)	POWER (HP)	OUTPUT (RPM)	OUTPUT TORQUE (IN-LB)
SMR2-1/15	2	16-24	7065-4710	1.5	18-24	4710-3532	1.5	26-34	3261-2493
	3	26-45	6521-3768	2	24-34	4710-3324	2	38-58	2975-1949
	5	46-74	6143-3819	3	38-70	4462-2422	3	58-100	2923-1695
	7.5	78-105	5434-4037	5	70-105	4037-2691	5	105-140	2691-2018
	10	105-140	5382-4037	7.5	110-140	3853-3028			
SMR2-1/25	0.5	4-6	7065-4710	0.33	4-5	4663-3730	0.25	4-5	3532-2826
	0.75	6-8	7065-5298	0.5	6-8	4710-3532	0.33	6-8	3108-2331
	1	8-10	7065-5652	0.75	8-12	5298-3532	0.5	8-12	3532-2355
	1.5	12-16	7065-5298	1	12-16	4710-3532	0.75	12-16	3532-2649
	2	16-24	7065-4710	1.5	18-24	4710-3532	1	16-24	3532-2355
	3	26-45	6521-3768	2	24-34	4710-3324	1.5	26-34	3261-2493
	5	46-74	6143-3819	3	38-70	4462-2422	2	38-58	2975-1949
	7.5	78-85	5434-4987	5	70-85	4037-3324	3	58-85	2923-1995
SMR3-1/15	3	28-30	6055-5652	2	16-24	7065-4710	2	24-38	4710-2975
	5	32-50	8831-5652	3	26-46	6521-3686	3	40-70	4239-2422
	7.5	52-74	8151-5728	5	50-74	5652-3819	5	74-105	3819-2691
	10	78-105	7246-5382	7.5	78-105	5434-4037	7.5	110-140	3853-3028
	15	110-140	7707-6055	10	100-140	5652-4037			
SMR3-1/25	0.75	4-5	10597-8477	0.5	4-5	7065-5652	0.5	6-7	4710-4037
	1	6-7	9419-8074	0.75	6-7	7065-6055	0.75	8-10	5298-4239
	1.5	8-10	10597-8477	1	8-10	7065-5652	1	10-16	5652-3532
	2	12-16	9419-7065	1.5	12-16	7065-5298	1.5	18-24	4710-3532
	3	18-30	9419-5652	2	16-24	7065-4710	2	24-38	4710-2975
	5	32-50	8831-5652	3	26-46	6521-3686	3	40-70	4239-2422
	7.5	52-74	8151-5728	5	50-74	5652-3819	5	74-85	3819-3324
	10	78-85	7246-6649	7.5	78-85	5434-4987			
SMR4-1/15	5	18-24	15699-11774	3	14-22	12111-7707	3	20-34	8477-4987
	7.5	26-34	16303-12467	5	24-34	11774-8311	5	38-54	7436-5233
	10	38-54	14873-10466	7.5	38-54	11154-7849	7.5	58-80	7308-5298
	15	58-80	14616-10597	10	54-80	10466-7065	10	80-140	7065-4037
	20	80-110	14219-10276	15	85-115	9973-7372			
	25	100-140	14129-10092	20	110-140	10276-8074			
SMR4-1/25	1	4-5	14129-11303	0.75	4-5	10597-8477	0.5	4-5	7065-5652
	1.5	5-7	16955-12111	1	5-6	11303-9419	0.75	5-6	8477-7065
	2	6-8	18839-14129	1.5	6-8	14129-10597	1	6-8	9419-7065
	3	10-14	16955-12111	2	10-12	11303-9419	1.5	10-12	8477-7065
	5	16-24	17661-11774	3	14-22	12111-7707	2	14-18	8074-6280
	7.5	26-34	16303-12467	5	24-34	11774-8311	3	20-34	8477-4987
	10	38-54	14873-10466	7.5	38-54	11154-7849	5	38-54	7436-5233
	15	58-80	14616-10597	10	54-85	10466-6649	7.5	58-85	7308-4987
20	80-85	14129-13298							
SMR5-1/15	7.5	22-24	19267-17661	7.5	24-34	17661-12467	5	24-34	11774-8311
	10	24-34	23548-16622	10	38-54	14873-10466	7.5	38-52	11154-8151
	15	38-54	22309-15699	15	58-80	14616-10597	10	54-80	10466-7065
	20	54-78	20932-14491	20	78-110	14491-10276	15	85-110	9973-7707
	25	70-95	20184-14873	25	100-125	14129-11303	20	110-125	10276-9043
	30	85-115	19947-14743						
40	110-125	20551-18085							
SMR5-1/25	2	4-5	28258-22606	1.5	4-5	21194-16955	1	4-5	14129-11303
	3	6-8	28258-21194	2	5-6	22606-18839	1.5	6-7	14129-12111
	5	10-14	28258-20184	3	8-14	21194-12111	2	8-12	14129-9419
	7.5	16-24	26492-17661	5	16-24	17661-11774	3	14-22	12111-7707
	10	24-34	23548-16622	7.5	24-34	17661-12467	5	24-34	11774-8311
	15	38-54	22309-15699	10	38-54	14873-10466	7.5	38-52	11154-8151
	20	54-78	20932-14491	15	58-80	14616-10597	10	54-78	10466-7246
	25	70-80	20184-17661	20	78-80	14491-14129			

Load Classification

(Unit) Inches

MODEL	CLASS I			CLASS II			CLASS III		
	POWER (HP)	OUTPUT (RPM)	OUTPUT TORQUE (IN-LB)	POWER (HP)	OUTPUT (RPM)	OUTPUT TORQUE (IN-LB)	POWER (HP)	OUTPUT (RPM)	OUTPUT TORQUE (IN-LB)
SMR6-1/15	15	20-26	42387-32605	10	18-26	31398-21737	7.5	20-24	21194-17661
	20	26-38	43474-29745	15	28-40	30276-21194	10	26-40	21737-14129
	25	34-50	41556-28258	20	40-58	28258-19488	15	45-58	18839-14616
	30	45-62	37677-27346	25	52-78	27171-18114	20	62-74	18231-15275
	40	62-85	36462-26596	30	66-90	25689-18839	25	78-95	18114-14873
	50	78-105	36228-26912	40	90-120	25118-18839	30	95-125	17847-13564
SMR6-1/25	3	4-5	42387-33910	2	4-5	28258-22606	1.5	4-5	21194-16955
	5	6-8	47097-35323	3	6-8	28258-21194	2	6-7	18839-16147
	7.5	10-12	42387-35323	5	10-12	28258-23548	3	8-12	21194-14129
	10	14-18	40369-31398	7.5	14-18	30276-23548	5	14-18	20184-15699
	15	20-26	42387-32605	10	18-26	31398-21737	7.5	20-24	21194-17661
	20	26-38	43474-29745	15	28-40	30276-21194	10	26-40	21737-14129
	25	34-50	41556-28258	20	40-58	28258-19488	15	45-58	18839-14616
	30	45-62	37677-27346	25	52-78	27171-18114	20	62-70	18231-16147
SMR7-1/15	20	18-22	62796-51378	20	26-34	43474-33245	10	16-24	35323-23548
	25	22-30	64223-47097	25	32-46	44153-30715	15	26-34	32605-24934
	30	26-38	65211-44618	30	40-58	42387-29232	20	38-46	29745-24572
	40	38-54	59491-41864	40	58-80	38977-28258	25	50-62	28258-22789
	50	50-74	56516-38187				30	62-80	27346-21194
SMR7-1/25	5	4-5	70645-56516	3	4-5	42387-33910	3	5-7	33910-24221
	7.5	6-7	70645-60553	5	6-7	47097-40369	5	8-10	35323-28258
	10	8-10	70645-56516	7.5	8-10	52984-42387	7.5	12-14	35323-30276
	15	12-16	70645-52984	10	12-16	47097-35323	10	16-24	35323-23548
	20	16-22	70645-51378	15	18-26	47097-32605	15	26-34	32605-24934
	25	22-30	64223-47097	20	24-34	47097-33245	20	38-46	29745-24572
	30	26-38	65211-44618	25	32-46	44153-30715	25	50-62	28258-22789
	40	38-54	59491-41864	30	40-58	42387-29232	30	62-70	27346-24221
SMR8-1/15	40	20-30	113032-75355	25	20-26	70645-54342	15	18-20	47097-42387
	50	28-40	100922-70645	30	22-32	77067-52984	20	20-26	56516-43474
	60	34-46	99734-73717	40	32-46	70645-49144	25	28-34	50461-41556
	75	45-70	94193-60553	50	40-58	70645-48721	30	34-46	49867-36858
				60	50-74	67819-45824	40	50-58	45213-38977
				75	66-74	64223-57280	50	62-78	45577-36228
SMR8-1/25	7.5	4-5	105968-84774	5	4-5	70645-56516	3	4-5	42387-33910
	10	6-7	94193-80737	7.5	6-7	70645-60553	5	5-7	56516-40369
	15	8-9	105968-94193	10	8-9	70645-62796	7.5	7-9	60553-47097
	20	10-12	113032-94193	15	10-14	84774-60553	10	10-14	56516-40369
	25	12-16	117742-88306	20	14-20	80737-56516	15	16-20	52984-42387
	30	16-20	105968-84774	25	18-26	78495-54342	20	20-26	56516-43474
	40	20-30	113032-75355	30	22-32	77067-52984	25	28-34	50461-41556
	50	28-40	100922-70645	40	32-46	70645-49144	30	34-46	49867-36858
	60	34-46	99734-73717	50	40-58	70645-48721	40	50-58	45213-38977
	75	45-70	94193-60553	60	50-74	67819-45824	50	62-74	45577-38187
SMR9-1/15	50	18-26	156989-108685	30	20-22	84774-77067	25	18-22	78495-64223
	60	22-32	154135-105968	40	22-30	102757-75355	30	22-30	77067-56516
	75	30-50	141290-84774	50	28-40	100922-70645	40	32-40	70645-56516
				60	34-50	99734-67819	50	45-52	62796-54342
SMR9-1/25	15	5-6	169548-141290	7.5	4-5	105968-84774	5	4-5	70645-56516
	20	6-8	188387-141290	10	4-6	141290-94193	7.5	5-6	84774-70645
	25	8-10	176613-141290	15	8-9	105968-94193	10	6-8	94193-70645
	30	10-14	169548-121106	20	10-12	113032-94193	15	10-12	84774-70645
	40	14-20	161475-113032	25	12-16	117742-88306	20	14-16	80737-70645
	50	18-26	156989-108685	30	16-22	105968-77067	25	18-22	78495-64223
	60	22-32	154135-105968	40	22-30	102757-75355	30	22-30	77067-56516
	75	30-50	141290-84774	50	28-40	100922-70645	40	32-40	70645-56516
			60	34-50	99734-67819	50	45-52	62796-54342	
			75	45-74	94193-57280	60	52-74	65211-45824	

Dimensions



Load Classification

(Unit) Inches

SIZE	A1	A3	B Max	C	F	G	L	N	Q	R Min	T	V	X
	A2	h		E	Key	H	M	P		R Max	U	W	Y
2	2.14	3.75	1-15/16	1.25	1.13	2.22	8.38	7.32	3.59	26.94	3	2.89	3.68
	4.32	4.09		4.06	0.25x0.13x2.50	4.56	11.41	0.44		32.94	1.25	1.06	1.4
3	2.33	4.17	2-3/16	1.5	1.25	2.34	9.25	9.22	4.34	26.94	3	3.3	4.52
	4.78	4.84		4.38	0.25x0.13x2.88	5.63	12.88	0.44		32.94	1.25	1.06	1.59
4	2.76	4.79	2-7/16	1.75	1.44	3.44	10.38	9.98	5.57	29.19	4	3.41	4.79
	5.53	5.5		4.81	0.38x0.19x4.06	6.13	15.13	0.55		35.19	1.44	1.75	1.72
5	3.04	5.67	2-15/16	1.81	1.94	3.44	13.13	10.52	5.74	29.19	4	4.45	5.05
	6.43	6.56		5.63	0.50x0.25x4.50	6.31	18.31	0.5		35.19	1.44	1.75	1.91
6	4.09	6.71	3-7/16	1.81	2.19	3.73	15.13	11.53	6.08	29.19	4.75	4.57	5.73
	7.88	7.56		6.13	0.50x0.25x4.50	6.88	21.31	0.63		35.19	2.75	2	2.3
7	5.11	8.36	3-15/16	2.06	2.44	3.75	18.75	12.85	6.35	29.44	4.75	4.69	6.38
	9.74	9.38		7.25	0.63x0.31x4.75	7.75	25.94	0.63		35.44	2.75	2	2.5
8	6.03	9.5	4-7/16	2.06	2.44	4.31	20.25	14.03	7.11	30	7	5.85	7.04
	11.25	10.13		7.75	0.63x0.31x5.38	8.37	28.25	0.75		36	4	3.13	2.86
9	6.59	10.81	4-15/16	2.44	2.44	6.63	22.63	14.12	9.65	30	7	5.66	7.04
	12.66	11.31		8.75	0.63x0.31x7.75	8.12	31.69	0.75		36	4	3.13	2.98

MAX / Power Ratings Input HP

OUTPUT RPM	2	3	4	5	6	7	8	9	OUTPUT RPM
4	0.57	0.95	1.47	2.29	3.60	5.87	9.59	14.16	4
6	0.82	1.34	2.12	3.28	5.16	8.43	13.76	20.29	6
8	1.08	1.67	2.73	4.25	6.66	10.88	17.76	26.22	8
10	1.31	2.02	3.33	5.16	8.13	13.26	21.66	31.63	10
12	1.56	2.34	3.96	5.97	9.67	15.78	25.77	36.68	12
14	1.82	2.64	4.62	6.78	11.28	18.42	29.96	41.59	14
16	2.08	2.95	5.29	7.55	12.89	20.58	33.40	46.37	16
18	2.33	3.24	5.86	8.31	14.50	22.66	36.76	51.05	18
20	2.55	3.53	6.38	9.05	16.12	24.69	40.06	55.64	20
22	2.75	3.82	6.90	9.78	17.68	26.68	43.31	60.15	22
24	2.94	4.09	7.40	10.50	18.99	28.65	46.50	64.59	24
26	3.15	4.37	7.91	11.20	20.27	30.59	49.64	68.95	26
28	3.33	4.64	8.39	11.90	21.54	32.49	52.74	73.28	28
30	3.53	4.91	8.87	12.59	22.78	34.38	55.81	77.54	30
32	3.72	5.17	9.35	13.27	24.01	36.24	58.83	81.77	32
34	3.91	5.43	9.83	13.95	25.23	38.09	61.84	85.94	34
38	4.27	5.95	10.75	15.27	27.64	41.72	67.74	94.16	38
40	4.46	6.20	11.22	15.92	28.83	43.51	70.66	98.22	40
45	4.91	6.83	12.36	17.55	31.74	47.93	77.84	108.22	45
46	5.01	6.95	12.58	17.85	32.32	48.79	79.26	110.19	46
50	5.35	7.44	13.47	19.12	34.60	52.25	84.89	118.04	50
52	5.53	7.69	13.90	19.75	35.74	53.97	87.68	121.92	52
54	5.70	7.93	14.34	20.36	36.86	55.66	90.45	125.79	54
58	6.04	8.40	15.20	21.59	39.08	59.04	95.93	133.43	58
62	6.39	8.87	16.05	22.81	41.29	62.36	101.36	140.99	62
66	6.71	9.34	16.90	24.01	43.46	65.66	106.73	148.48	66
70	7.04	9.80	17.73	25.22	45.61	68.93	112.05	155.89	70
74	7.37	10.36	18.73	26.70	47.74	72.16	117.30	163.23	74
78	7.70	10.94	19.76	28.16	50.33	75.37	122.86	170.52	78
80	7.86	11.22	20.28	28.91	51.65	77.14	126.09	174.75	80
85	8.35	11.93	21.58	30.76	54.96	82.10	134.21	186.01	85
90	8.85	12.66	22.88	32.61	58.27	87.06	142.33	197.30	90
95	9.35	13.37	24.17	34.46	61.60	92.03	150.48	208.61	95
100	9.86	14.08	25.48	36.32	64.93	97.02	158.65	219.94	100
105	10.37	14.82	26.78	38.19	68.26	102.01	166.83	231.31	105
110	10.87	15.53	28.08	40.04	71.59	107.00	175.02	242.69	110
115	11.37	16.25	29.39	41.91	74.94	112.01	183.22	254.09	115
120	11.88	16.98	30.69	43.79	78.28	117.03	191.44	265.52	120
125	12.38	17.70	32.01	45.67	81.65	122.06	199.68	276.97	125
130	12.89	18.43	33.32	47.53	84.99	127.08	207.93	288.43	130
135	13.40	19.15	34.63	49.42	88.36	132.13	216.19	299.92	135
140	13.90	19.89	35.94	51.29	91.73	137.18	224.47	311.43	140

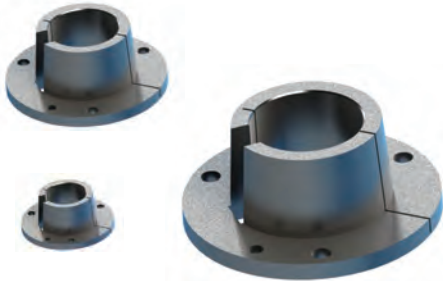
Power Ratings Output Torque

(Unit) IN-LB

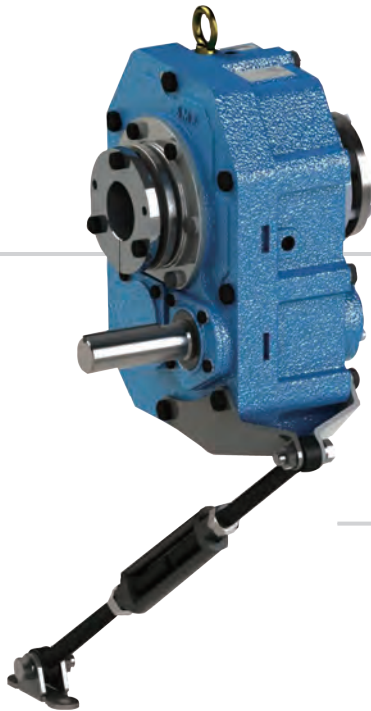
OUTPUT RPM	2	3	4	5	6	7	8	9	OUTPUT RPM
4	8070	13491	20719	32364	50836	82961	135565	200016	4
6	7766	12584	19946	30922	48591	79377	129573	191145	6
8	7616	11833	19262	30003	47070	76886	125475	185207	8
10	7390	11406	18795	29155	45940	74933	122398	178777	10
12	7324	11005	18634	28138	45539	74318	121367	172767	12
14	7340	10667	18641	27361	45546	74343	120924	167907	14
16	7345	10407	18689	26670	45544	72699	117975	163804	16
18	7304	10160	18414	26089	45542	71153	115414	160299	18
20	7192	9962	18034	25583	45541	69755	113204	157215	20
22	7063	9801	17723	25133	45430	68538	111250	154509	22
24	6927	9637	17434	24729	44707	67462	109492	152091	24
26	6838	9495	17186	24352	44060	66486	107908	149887	26
28	6726	9364	16937	24021	43468	65583	106456	147903	28
30	6646	9243	16712	23726	42921	64766	105136	146069	30
32	6574	9133	16512	23439	42413	63997	103902	144410	32
34	6506	9033	16332	23183	41938	63315	102786	142848	34
38	6356	8850	15994	22715	41102	62047	100744	140034	38
40	6296	8765	15853	22499	40730	61470	99840	138771	40
45	6170	8579	15521	22036	39865	60193	97761	135919	45
46	6151	8543	15457	21934	39708	59943	97375	135384	46
50	6053	8414	15224	21617	39109	59059	95954	133428	50
52	6005	8353	15102	21465	38840	58656	95291	132512	52
54	5961	8296	15003	21309	38577	58253	94661	131650	54
58	5890	8188	14807	21038	38084	57525	93472	130014	58
62	5822	8089	14630	20796	37636	56846	92391	128519	62
66	5747	7998	14472	20556	37215	56222	91389	127141	66
70	5688	7913	14315	20362	36826	55653	90463	125858	70
74	5630	7909	14301	20390	36463	55109	89589	124666	74
78	5577	7924	14318	20404	36466	54608	89019	123553	78
80	5555	7924	14329	20423	36485	54495	89080	123453	80
85	5552	7933	14349	20453	36543	54590	89238	123677	85
90	5557	7949	14365	20477	36593	54673	89377	123893	90
95	5563	7955	14380	20501	36648	54748	89519	124104	95
100	5575	7960	14401	20529	36696	54830	89662	124301	100
105	5580	7974	14415	20557	36741	54907	89793	124504	105
110	5585	7980	14427	20574	36783	54977	89920	124688	110
115	5590	7985	14445	20598	36828	55048	90043	124871	115
120	5594	7996	14455	20625	36869	55120	90163	125052	120
125	5599	8002	14472	20646	36915	55187	90281	125226	125
130	5603	8013	14487	20665	36950	55249	90395	125392	130
135	5608	8018	14496	20689	36989	55313	90507	125559	135
140	5613	8028	14510	20706	37032	55378	90617	125720	140

Optional Accessories

Tapered Bushing Kits

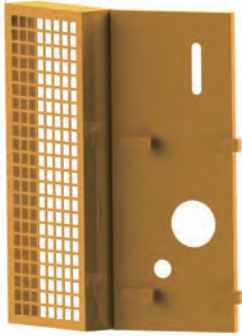


Twin tapered bushing kits are perfectly sized for worldwide shaft mount reducers (as well as other manufacturers) and assures you of fast and simple installation, as well as reliable tapered support on both sides of the reducer. All tapered bushing kits come complete with fastening Bolts and a full length shaft key.



Size	Bushing Bores	Size	Bushing Bores
2	1-5/16	6	2-1/2
	1-3/8		2-11/16
	1-7/16		2-7/8
	1-1/2		2-15/16
	1-5/8		3
	1-11/16		3-7/16
	1-3/4		
	1-15/16		
3	1-11/16	7	2-7/16
	1-3/4		2-11/16
	1-7/8		2-15/16
	1-15/16		3
	2		3-3/16
	2-3/16		3-7/16
4	1-15/16	8	2-15/16
	2		3-7/16
	2-1/8		3-15/16
	2-3/16		4-3/16
	2-1/4		4-7/16
5	2-3/16	9	3-7/16
	2-1/4		3-15/16
	2-7/16		4-7/16
	2-1/2		4-15/16
	2-11/16		
2-15/16			

Size	Shaft Dia.	Size	Shaft Dia.
2	1-1/2	6	2-7/16
	2		3
	2-7/16		3-7/16
	3		
3	1-1/2	7	2-7/16
	2		3
	2-7/16		3-7/16
4	1-1/2	8	3
	2		3-7/16
	2-7/16		
	3		
5	2	9	N/A
	2-7/16		
	3		
	3-7/16		



New BOLT-ON BELT GUARD
requires no drilling or straps



New CEMA BOLT-ON ADAPTER and SHAFTS
are engineered to CEMA dimensions.
Adapter features double-lip seals
on both sealing surfaces.



Motor Mounts
can be adjusted up, down or mounted on
the side depending on the customer's
requirements.

Torque Arms
kit with brackets for universal mounting.



Backstop Assemblies
Universal backstop assemblies for shaft mount ensure smooth,
forward operation of conveyor with no backslip.